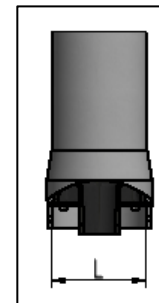
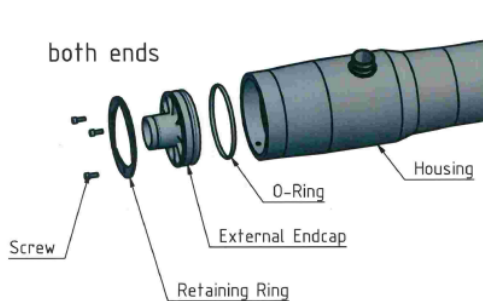
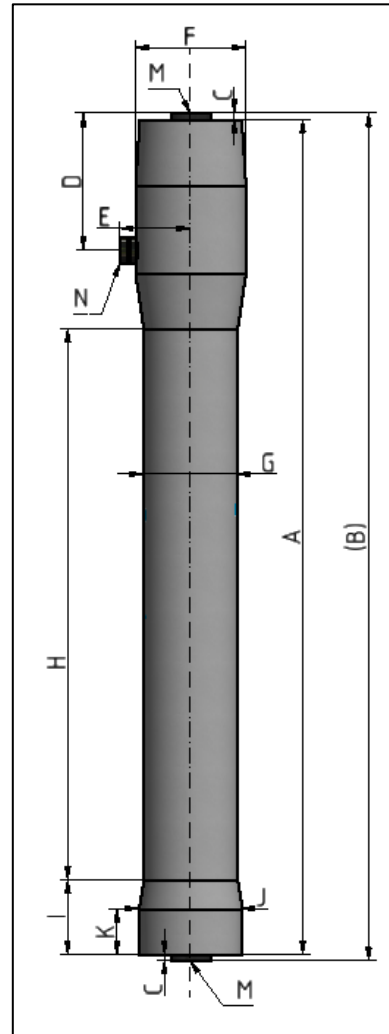


## PHYSICAL DIMENSIONS

Module		CM-151	
		mm	inch
Module Length	A	1891 ± 4.0	74.45 ± 0.16
	B	1909 - 1924.8	75.16 – 75.78
	C	13.6 +1.3 -2.6	0.54 +0.05 -0.10
Side Port Dimension	D	309.1 +1.3 -2.6	12.17 +0.05 -0.10
	E	159 +0.3 -1	6.26 +0.01 -0.04
Module Diameter	F	249 ± 4.0	9.80 ± 0.16
	G	211.5 ± 1.5	8.33 ± 0.06
Length of cylindrical diameter G	H	1246 ± 5	49.06 ± 0.20
	I	170 ± 10	6.69 ± 0.39
Bottom max. diameter	J	233 +3 -1	9.17 +0.12 -0.04
	K	105 ± 10	4.13 ± 0.39
Inner Diameter	L	206 +0.5 -1	8.11 +0.02 -0.04
Grooved Fitting Feed / Reject (Qty 2)	M	DN-80	3-inch
Grooved Fitting Permeate	N	DN-50	2-inch



Certified according to:  
NSF 61, 372 & 419 (USA)  
Regulation 31 (UK)  
MOH (China)



# CM-151 Technical Data Sheet

Ceramic Ultrafiltration Monolith Module

Code: Q 1 VT PRD151EN  
 Page: 2/2  
 Revision: 14

## SPECIFICATIONS

Surface Area		24.3 m <sup>2</sup>	262 ft <sup>2</sup>
Nominal Channel Size (Hexagonal)		2.4 mm	0.09 in
Weight (+/- 5 kg)	Dry	78 kg	172 lbs.
	As Shipped	80 kg	176 lbs.
Module Hold Up Volume:		32 L	8.5 gal
Vessel Materials		Fiberglass Reinforced Plastic (FRP) Shell Fluoroelastomer (FKM) Seals Duplex 2205 / Super-duplex 2507 Permeate Port CPVC / NORYL™ Feed/Reject Ports	
Membrane Material		α – Al <sub>2</sub> O <sub>3</sub>	
Membrane Nominal Pore Size		30 nm	
Module Operating Position		Vertical	

## Operating Guidelines \*

pH Range	2 – 12
Temperature Range	1 – 45°C (33°F – 113°F)
Approved Chemicals	Acids: Hydrochloric Acid, Sulfuric Acid, Citric Acid, Caustics: Sodium Hydroxide Oxidant: Sodium Hypochlorite, Chlorine Dioxide, Hydrogen Peroxide, Coagulants: Aluminum Chlorohydrate, Polyaluminum Chloride, Aluminum Sulfate, Ferric Chloride, Ferric Sulfate
Thermal Shock/Rate of Change	20°C instantaneous shock then 20°C / minute
Maximum System Pressure	7 bar (101 psi)
Filtration Flux	150 – 500 Lmh (88-294 GFD)
Backwash Flux	500 Lmh (294 GFD)
Filtration Mode	Dead End, Inside/Out

\* Consult Nanostone to determine Process Specific Parameters

